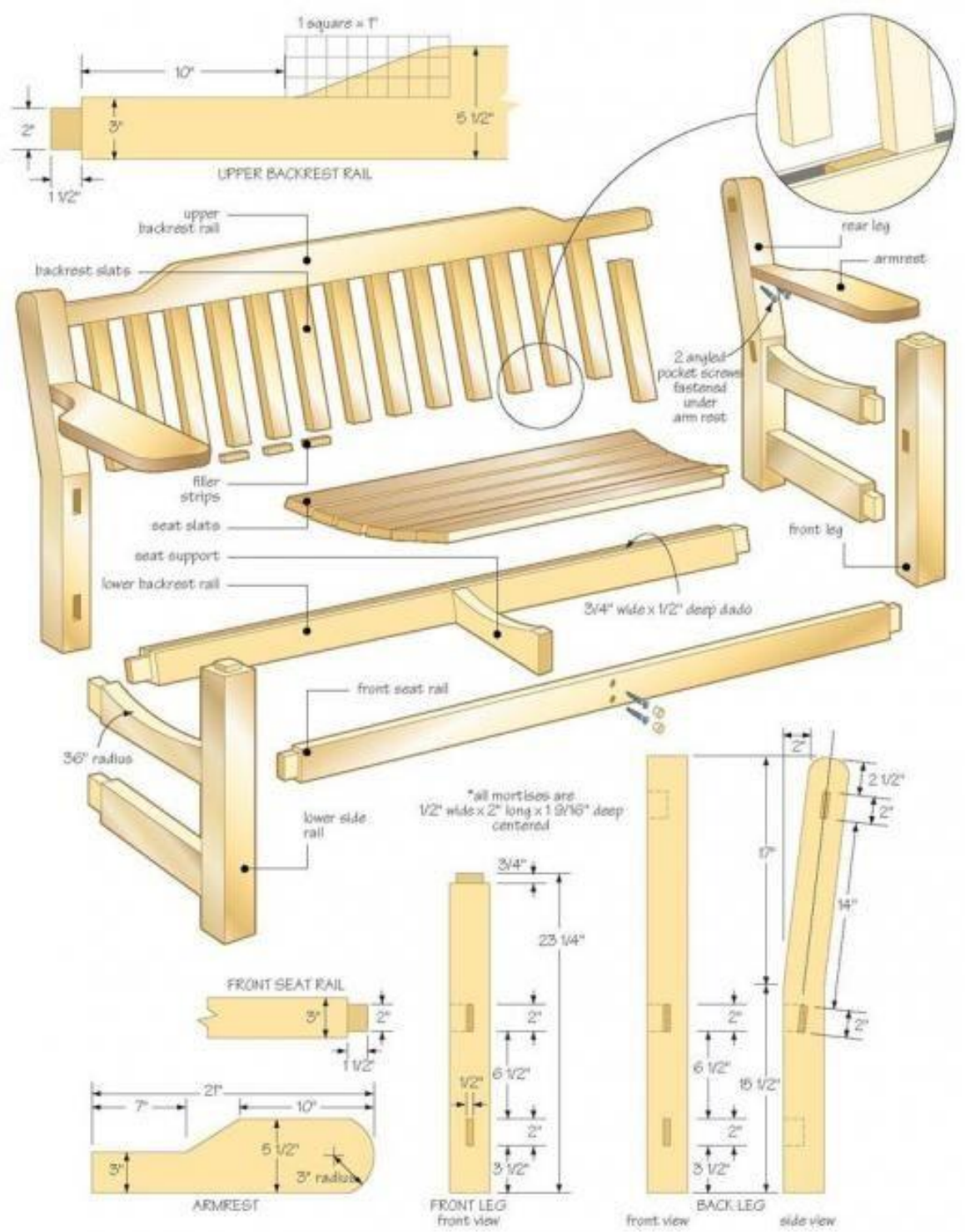
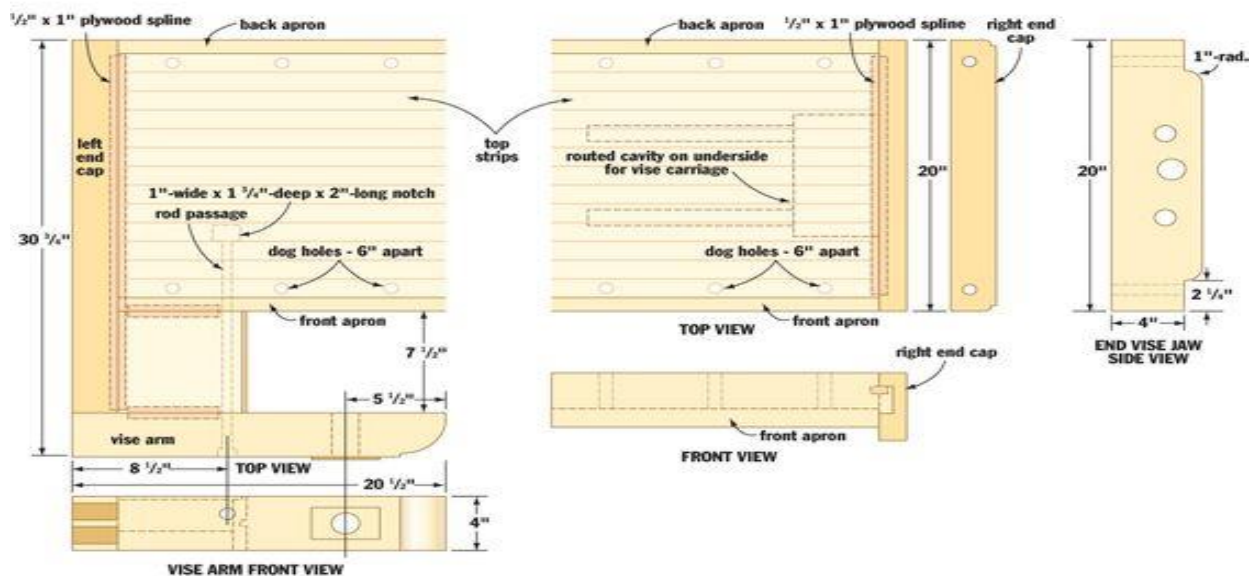
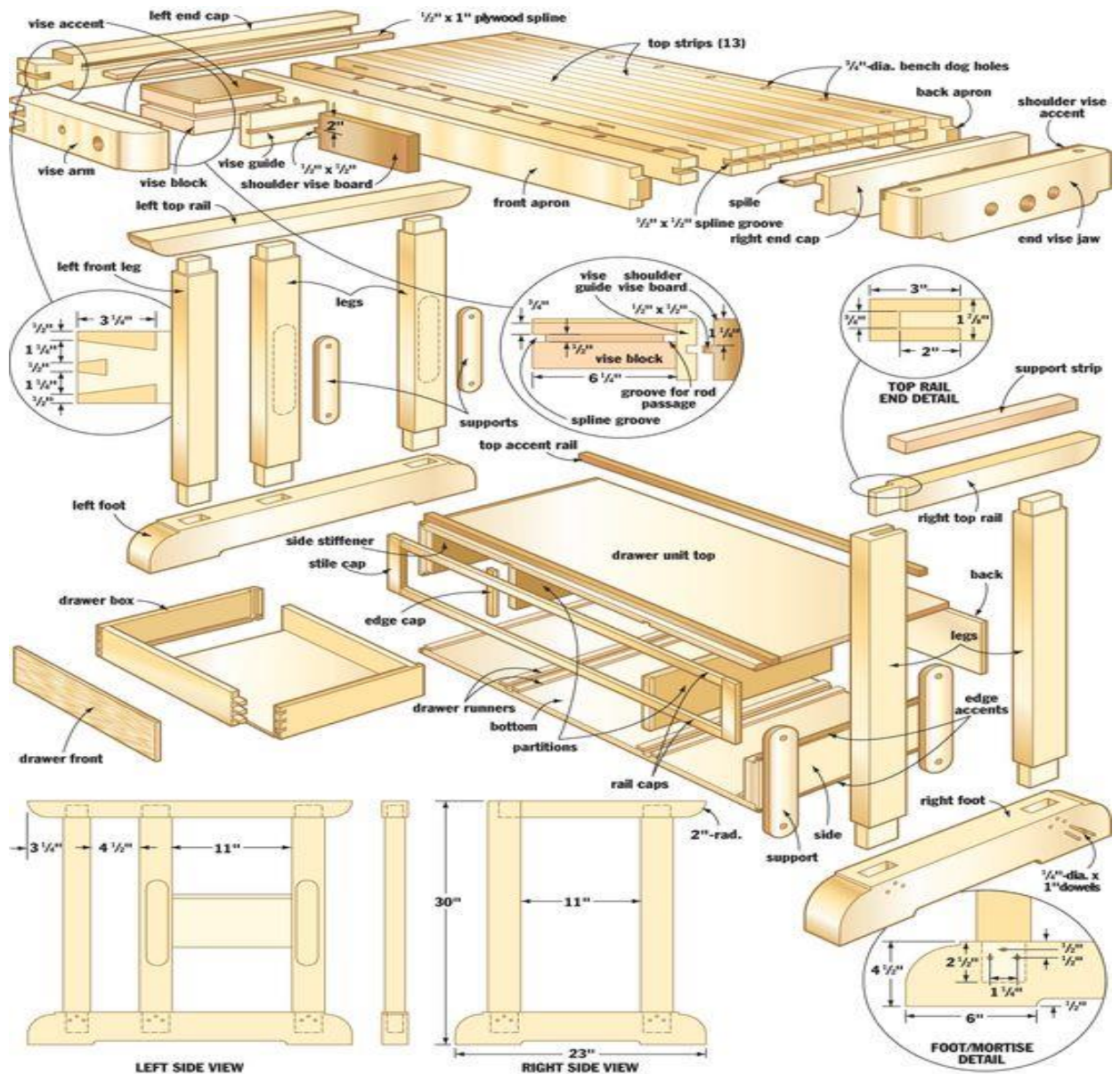
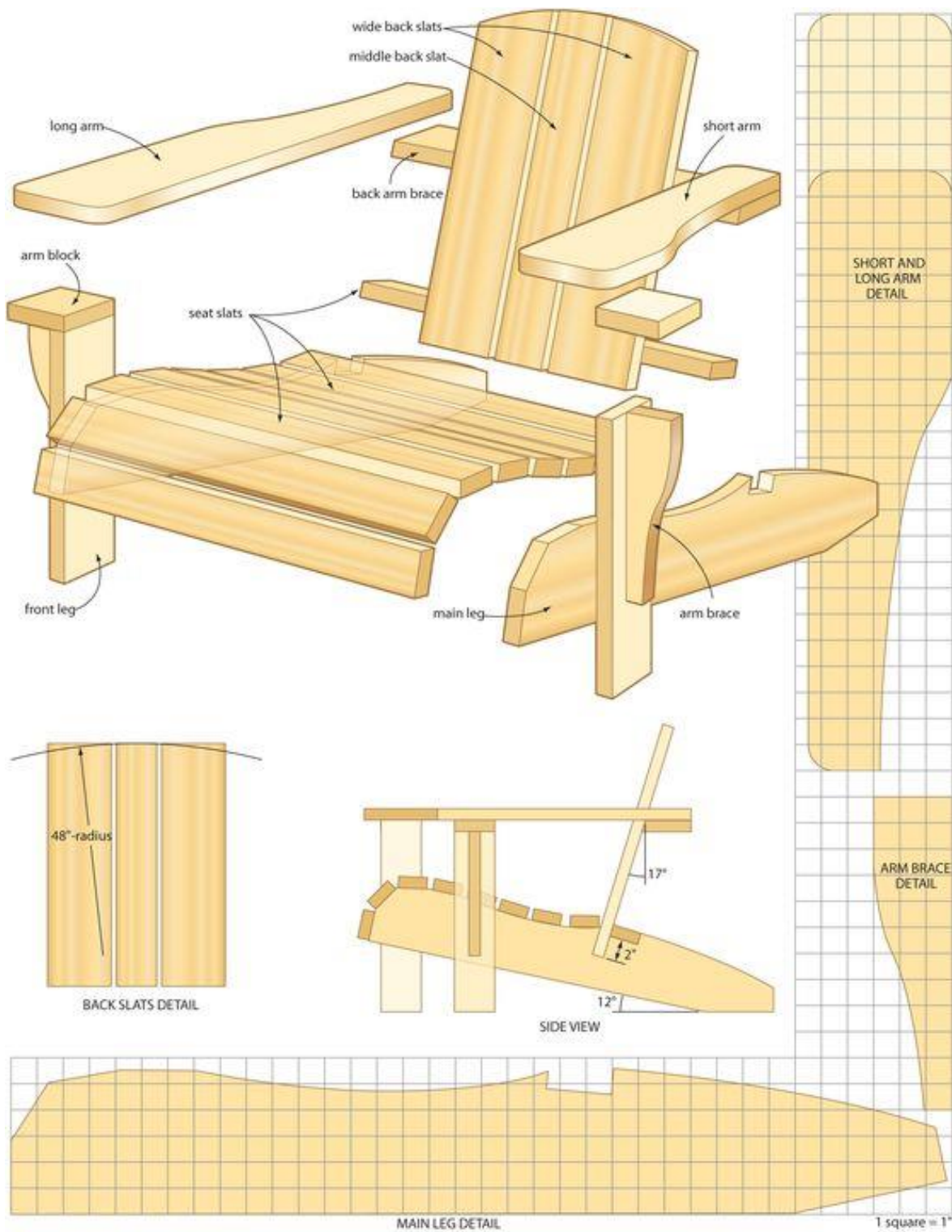


**PLANOS
DE
MUEBLES**

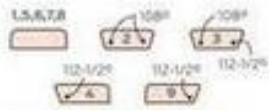




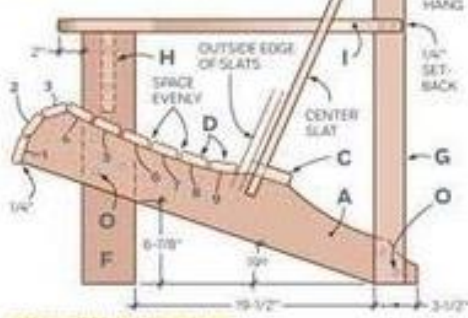


Chair Plans 34-1/4" DEEP X 31-3/4" WIDE X 40" HIGH

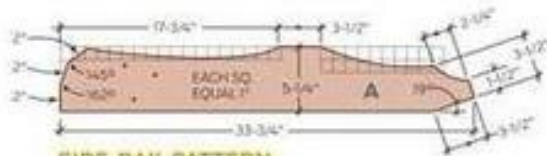
NOTE: ROUT ALL EXPOSED EDGES WITH 1/4" QUARTER-ROUND BIT BEFORE ASSEMBLING



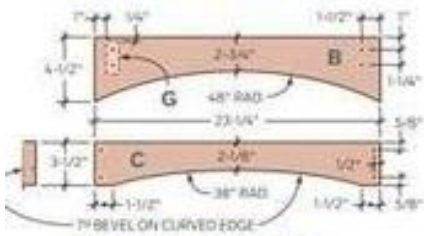
SLAT-D PATTERNS



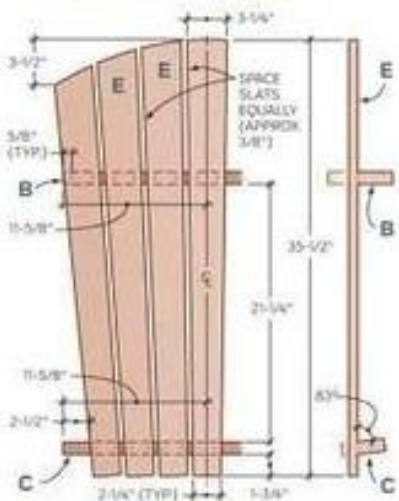
SECTION AT CENTER



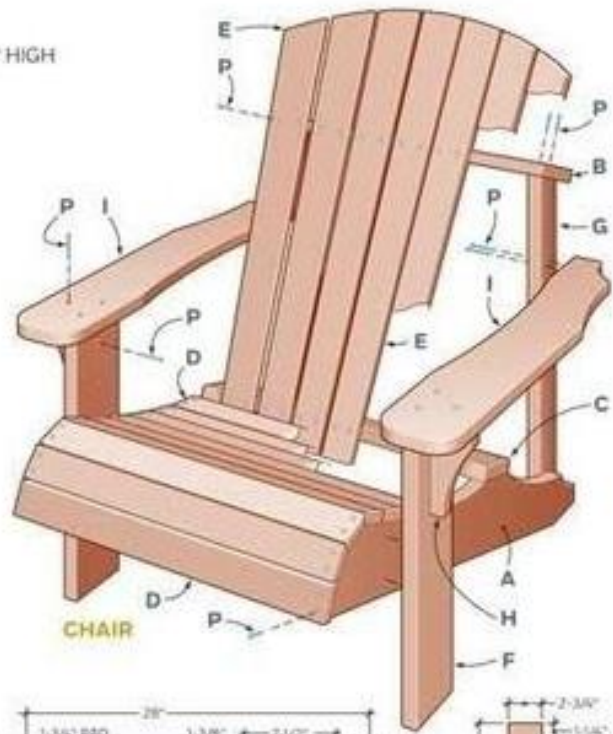
SIDE-RAIL PATTERN



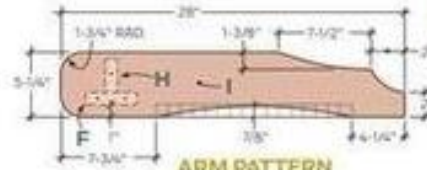
BACK-RAIL PATTERNS



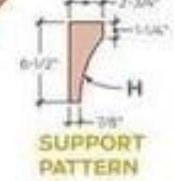
BACK-SLAT PATTERN



CHAIR

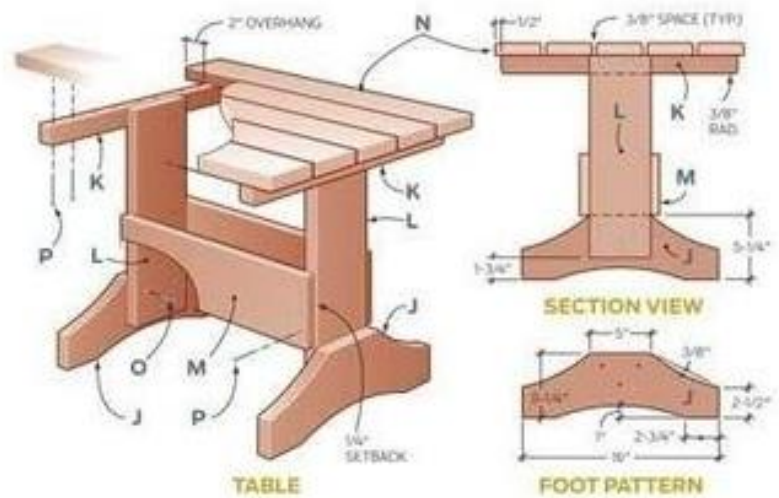


ARM PATTERN



SUPPORT PATTERN

Table Plans 21-1/4" DEEP X 24" WIDE X 19-1/2" HIGH



TABLE

SECTION VIEW

FOOT PATTERN

Fig. A
Exploded View of Chair

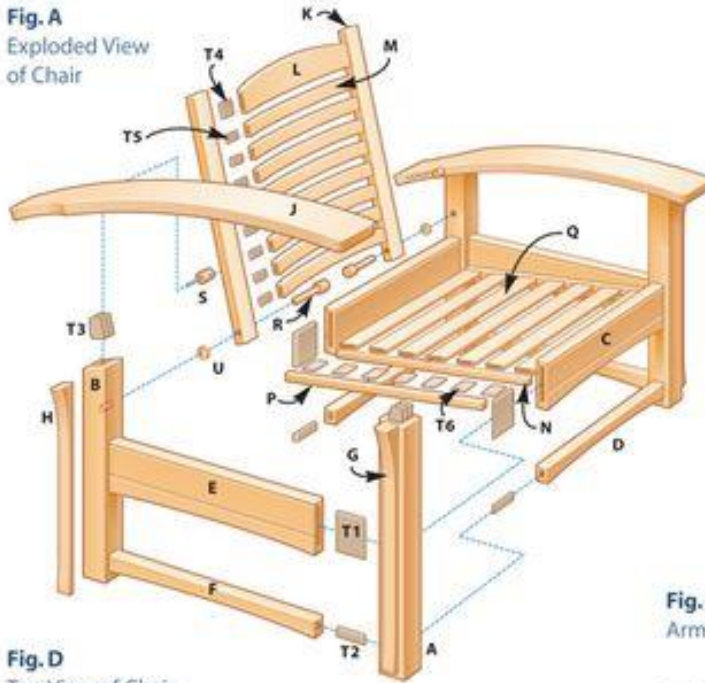


Fig. D
Top View of Chair

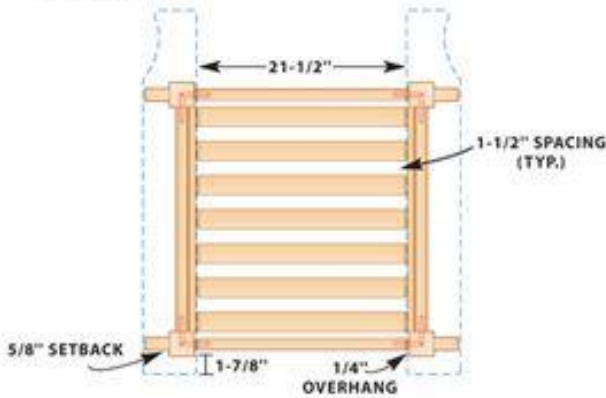


Fig. G
Front View of Chair

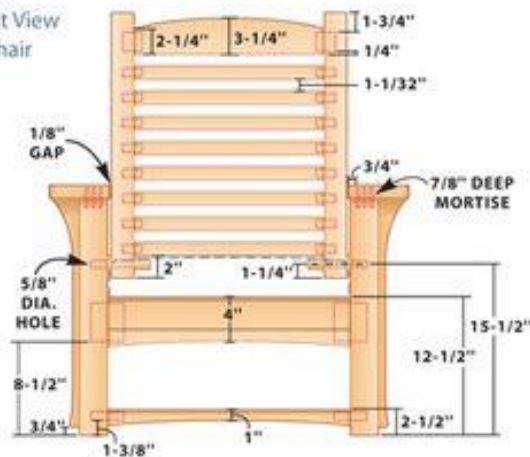


Fig. B
Chair Rail Details

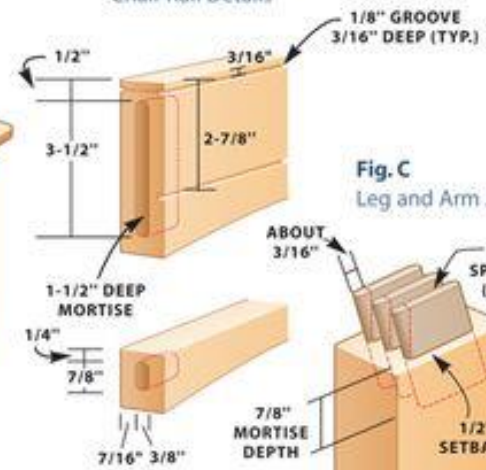


Fig. E
Arm



Fig. F
Top View Of Back

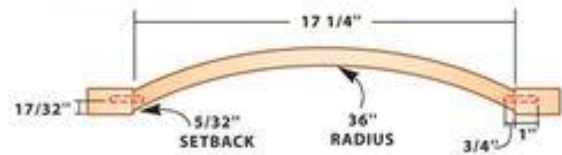


Fig. H
Side View of Chair

